

DESCRIPTION

The N-8510MS is an IP Master station designed for use with TOA's packet intercom system that employs the packet audio technology. Connecting the N-8510MS to an IP network (LAN or WAN) permits hands-free or handset conversation of high sound quality to be made between the N-8510MS and intercom stations connected to the IP Intercom Exchange, or between the N-8510MS units. Besides, the N-8510MS can be used in conjunction with the Multi Interface units through a network. Power can be supplied from the PoE (Power over Ethernet) switching hub. (In this case, an AC adapter is not required.) This station can be mounted to the wall using an optional YC-280 wall mounting bracket.

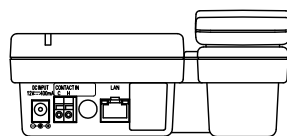
SPECIFICATIONS

* 0 dB = 1 V

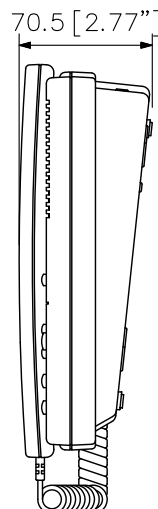
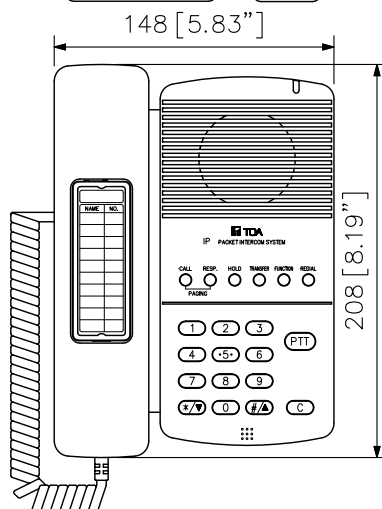
Power Source	Power supply device that complies with IEEE802.3af standard or 12 V DC (supplied from the AC adapter (option))
Power Consumption	4.2 W (at rated), 6 W (max.)
Speech Method	Hands-free or handset conversation
Audio Frequency Range	300 Hz - 7 kHz
Hands-free	Speaker: 5.7 cm (2.24") cone-type, 0.6 W, 8 Ω Microphone: Omni-directional electret condenser microphone
Handset	Receive path: Dynamic type, Send path: Electret condenser microphone
External Control Input Terminal	No-voltage contact input, open voltage: 5 V DC, short-circuit current: 5 mA or less, screwless connector (2P)
Network Section	Network I/F: 10BASE-T/100BASE-TX (Automatic-Negotiation) Network protocol: TCP/IP, UDP, HTTP, RTP, ARP, ICMP, IGMP Audio packet transmission system: Unicast, Multicast Number of paging destinations: Unicast (max. 16), Multicast (max. 191) Connector: LAN: RJ45 connector (PoE compatible) PC: RJ45 connector (not-compatible with PoE) Voice sampling frequency: 16 kHz, 8 kHz (controllable on the software) Quantifying bit number: 16-bit Voice encoding method: Sub-band ADPCM, Cryptosystem Voice packet loss recovery: Silence insertion Audio delay time: 80 ms, 320 ms (controllable on the software)
Indication	Status lamp
Installation Method	Desk/Surface mounted master station (When mounting to the wall, use the optional YC-280.)
Operating Temperature	0 °C to +40 °C (32 °F to 104 °F)
Operating Humidity	90 %RH or less (no condensation)
Finish	Body, Handset: ABS resin, gray
Dimensions	148 (W) × 208 (H) × 70.5 (D) mm (5.83" × 8.19" × 2.78") (excluding a curl cord section)
Weight	740 g (1.63 lb)
Accessory	CD (for PC setting, maintenance use, emergency message creating software) ...1
Option	Wall mounting bracket: YC-280, AC adapter: AD-1210P, AD-1215P

APPEARANCE

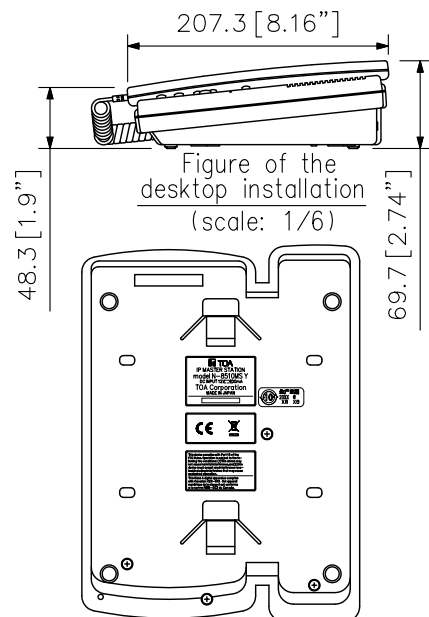
Top View



Front View



Side View



Rear View

UNIT:mm SCALE:1/4